

MERITOR WABCO

Technical Bulletin

Meritor WABCO HABS-E Kit with ECU

P/N: 400 850 872 0

Hazard Alert Messages

Read and observe all Warning and Caution hazard alert messages in this publication. They provide information that can help prevent serious personal injury, damage to components, or both.

⚠ WARNING

To prevent serious eye injury, always wear safe eye protection when you perform vehicle maintenance or service.

Park the vehicle on a level surface. Block the wheels to prevent the vehicle from moving. Support the vehicle with safety stands. Do not work under a vehicle supported only by jacks. Jacks can slip and fall over. Serious personal injury and damage to components can result.

Release all air from the air systems before you remove any components. Pressurized air can cause serious personal injury.

⚠ CAUTION

The hydraulic ABS E version is a complex device that provides optimum efficiency and operation. If the system sustains damage, or a component malfunctions and requires replacement, the replacement procedures provided by Meritor WABCO must be followed exactly with the associated steps performed in the order presented. Not following these steps could lead to the HABS not operating correctly.

Hydraulic brake fluid is a caustic substance. Contact with the hydraulic brake fluid can cause skin irritation. Do not let hydraulic brake fluid touch any painted surfaces, as it will remove the paint. Hydraulic brake fluid may also damage certain non-metal surfaces. Do not let fluid contact brake pads, shoes, rotors or discs.

How to Obtain Additional Maintenance and Service Information

Refer to Meritor WABCO Maintenance Manual MM-0677, Hydraulic Anti-Lock Braking Systems (HABS) for Medium-Duty Trucks, Buses and Motor Home Chassis for E Version Hydraulic ABS. Call ArvinMeritor's Customer Service Center at 866-OnTrac1 (668-7221) to obtain this publication. Meritor WABCO publications are also available on our website:

www.meritorwabco.com

Introduction

Meritor WABCO Kit 400 850 872 0 contains:

- Hydraulic ABS (HABS) Modulator with ECU and angled mounting bracket.

The following installation procedures describe the process of installing the hydraulic ABS unit on the vehicle. Refer to Maintenance Manual MM-0677 for more detailed installation procedures.

Installation

1. Wear safe eye protection.
2. Remove the old hydraulic ABS ECU/modulator assembly and the bracket from the vehicle. Refer to Maintenance Manual MM-0677 for detailed instructions.

3. Install the new ECU/modulator assembly and bracket provided in the kit onto the vehicle. Use the existing mounting hardware. Tighten the four mounting screws to OEM torque specification. Figure 1.

NOTE: The new ECU/modulator assembly and bracket are designed with a 7° horizontal tilt when installed into the vehicle. Figure 2.

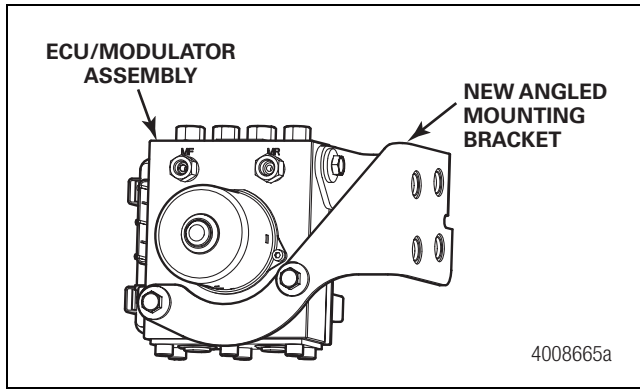


Figure 1

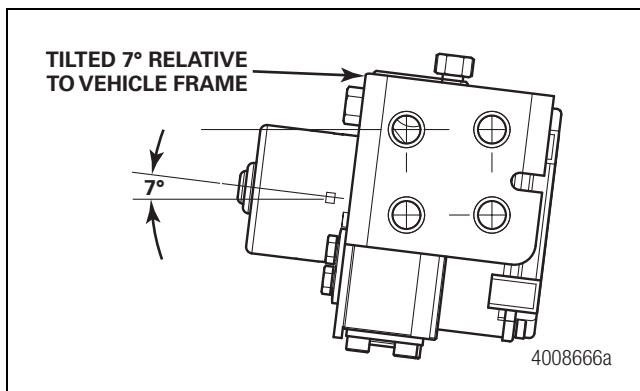


Figure 2

4. Remove and scrap the plastic plugs from the hydraulic ports of the new ECU/modulator assembly. Figure 3.

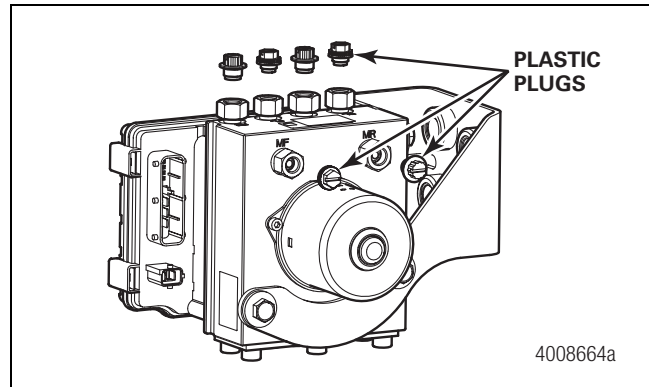


Figure 3

5. Reinstall the brake lines and tighten fittings to OEM specification. Figure 4.

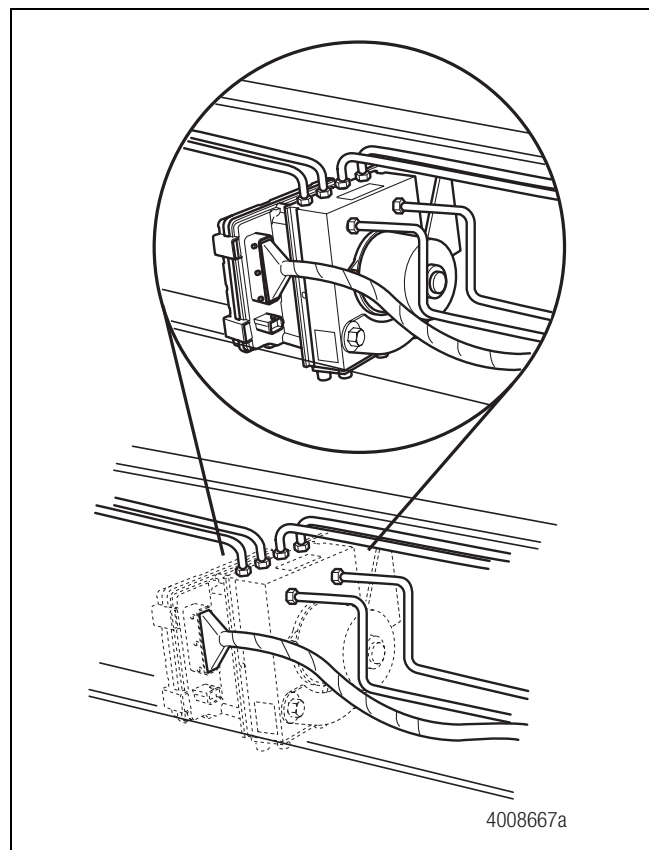


Figure 4

NOTE: Refer to Maintenance Manual MM-0677 for more detailed installation procedures.

MERITOR WABCO

Meritor WABCO Vehicle Control Systems
2135 West Maple Road
Troy, MI 48084-7121 USA
866-OnTrac1 (668-7221)
meritorwabco.com

Information contained in this publication was in effect at the time the publication was approved for printing and is subject to change without notice or liability. Meritor WABCO reserves the right to revise the information presented or to discontinue the production of parts described at any time.

Copyright 2010
ArvinMeritor, Inc.
All Rights Reserved

Printed in USA

TP-10155
Issued 08-10
(16579)