

MERITOR WABCO

Installation Guide

Pressure Limiting Valve Installation

Hazard Alert Messages

Read and observe all Warning and Caution hazard alert messages in this publication. They provide information that can help prevent serious personal injury, damage to components, or both.

⚠ WARNING

To prevent serious eye injury, always wear eye protection when you perform vehicle maintenance or service.

Park the vehicle on a level surface. Block the wheels to prevent the vehicle from moving. Support the vehicle with safety stands. Do not work under a vehicle supported only by jacks. Jacks can slip and fall over. Serious personal injury and damage to components can result.

Open drain valves on all reservoirs to remove all pressurized air from the air system before you disconnect any component. Pressurized air can cause serious personal injury.

How to Obtain Additional Maintenance, Service and Product Information

If you have any questions about the material covered in this publication, or for more information about the Meritor WABCO product line, please contact the Meritor OnTrac™ Customer Call Center at 866-OnTrac1 (668-7221) or visit our website, meritorwabco.com.

For more information about installing in-line filter valves, refer to technical bulletin TP-03100, Trailer ABS In-Line Filter Valve and Gladhands with Integral Filters. To obtain this publication, visit meritorwabco.com.

Installing the Pressure Limiting Valve

This technical bulletin provides instructions for installing a pressure limiting valve on trailers equipped with Meritor WABCO Roll Stability Support braking system that are connected to a tractor with system pressure in excess of 135 psi (9.3 bar) supply to the trailer. This valve limits the port 2 pressure to 123.3 +0/-5.8 psi (8.5 +0/-0.4 bar).

Installation Procedure

1. Wear safe eye protection. Park the vehicle on a level surface. Block the wheels to prevent the vehicle from moving.
2. Mount the pressure limiting valve on the trailer frame as close as possible to the first spring valve in the air system. Ensure that the exhaust port is facing down. Use paint, plastic or mylar as a barrier between the valve and frame to protect against corrosion due to dissimilar metals. Figure 1.

NOTE: In applications where multiple spring brake valves are used, for example B-trains, plumb the pressure limiting valve on the lead trailer before the first spring brake valve in the system, and before the tee that feeds the second trailer. This will limit pressure to both the lead and pup/trailing trailers. Figure 2.

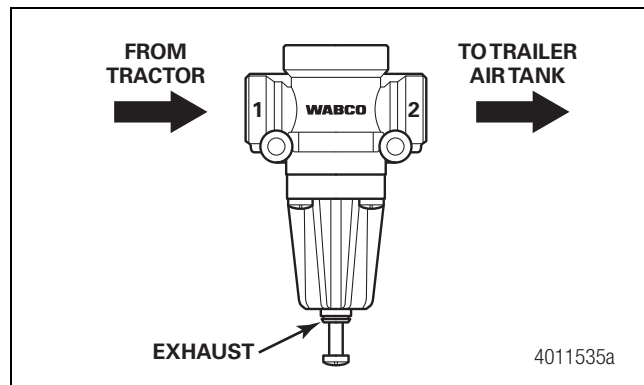


Figure 1

⚠ WARNING

Do not adjust or tamper with the screw at the bottom of the valve. The brake system may not operate correctly. Serious personal injury or damage to components can result.

Damage caused is not covered under warranty.

3. Ensure that the minimum amount of nylon air line length is used between the connection of the pressure limiting valve and the spring brake valve, as this will affect system timing. Figure 2.

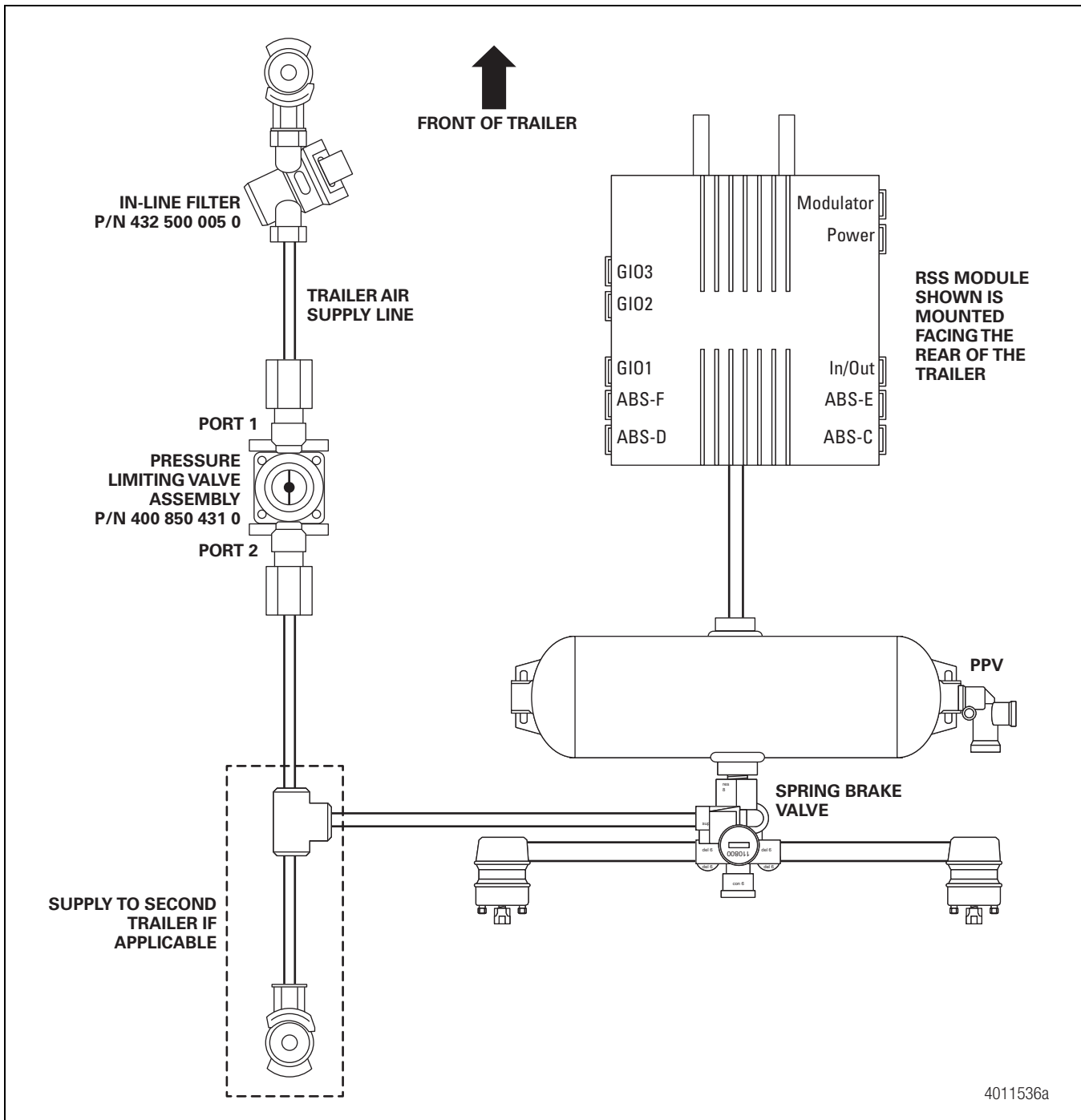


Figure 2

4. Install the 5/16" galvanized mounting bolts and tighten to manufacturer's specification.

NOTE: The fasteners are not supplied.

5. To protect the pressure limiting valve from contamination, Meritor WABCO requires you to install an in-line filter plumbed upstream from the pressure limiting valve as shown in Figure 2. This should be mounted with the bronze colored retainer slide facing down. Refer to TP-03100 for complete in-line filter installation information.

MERITOR WABCO

Meritor WABCO Vehicle Control Systems
2135 West Maple Road
Troy, MI 48084-7121 USA
866-OnTrac1 (668-7221)
meritorwabco.com

Information contained in this publication was in effect at the time the publication was approved for printing and is subject to change without notice or liability. Meritor WABCO reserves the right to revise the information presented or to discontinue the production of parts described at any time.

Copyright 2016
Meritor, Inc.
All Rights Reserved

Printed in USA

TP-1508
Revised 05-16
(16579)