

Pneumatic Brake Control Valve Products



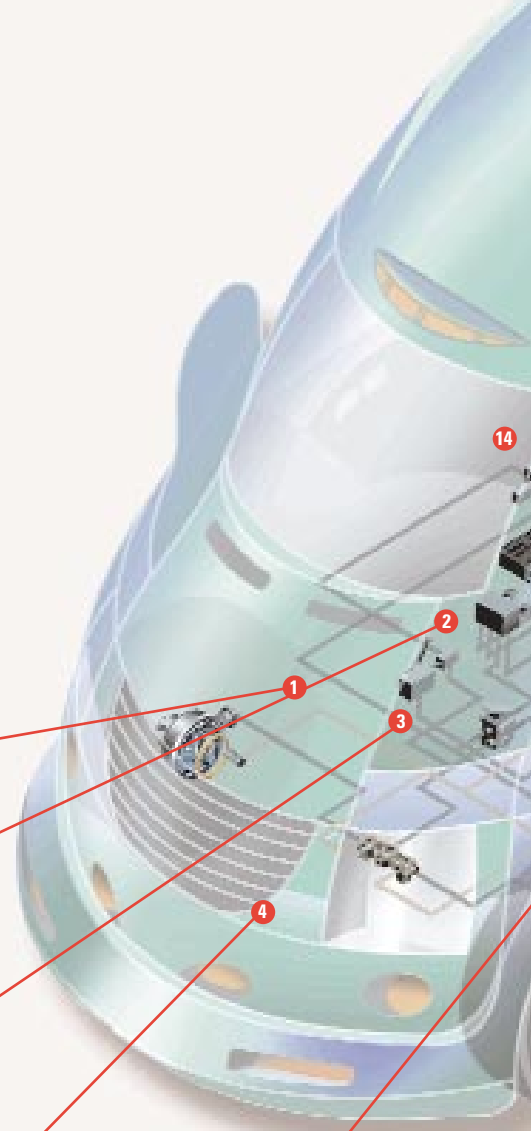
MERITOR WABCO BRAKING SYSTEMS

WE HAVE IT ALL

Meritor WABCO offers an extensive product line of pneumatic valves and components to meet and exceed all air system valve requirements. Our valves, featuring die cast aluminum and engineered-grade composite technology, resist corrosion for more consistent performance. Our push-to-connect fittings and standard NPT ports allow installation flexibility.

With a complete braking system product portfolio, Meritor WABCO, together with ArvinMeritor, is the only complete braking systems supplier for commercial vehicle OEMs and aftermarket customers in North America.

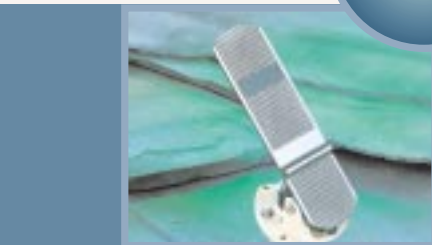
As a single-source supplier, we can provide complete systems that feature reduced installation costs, easier maintenance and are backed by the industry's most responsive sales and service network. Meritor WABCO integrates all of the brake components into one reliable system — making the OEM or truck operator's questions just one, quick call away.



1
TRAILER
HAND BRAKE
VALVES



2
DASH/
MANIFOLD
DASH VALVES



3
DUAL
CIRCUIT
FOOT VALVES



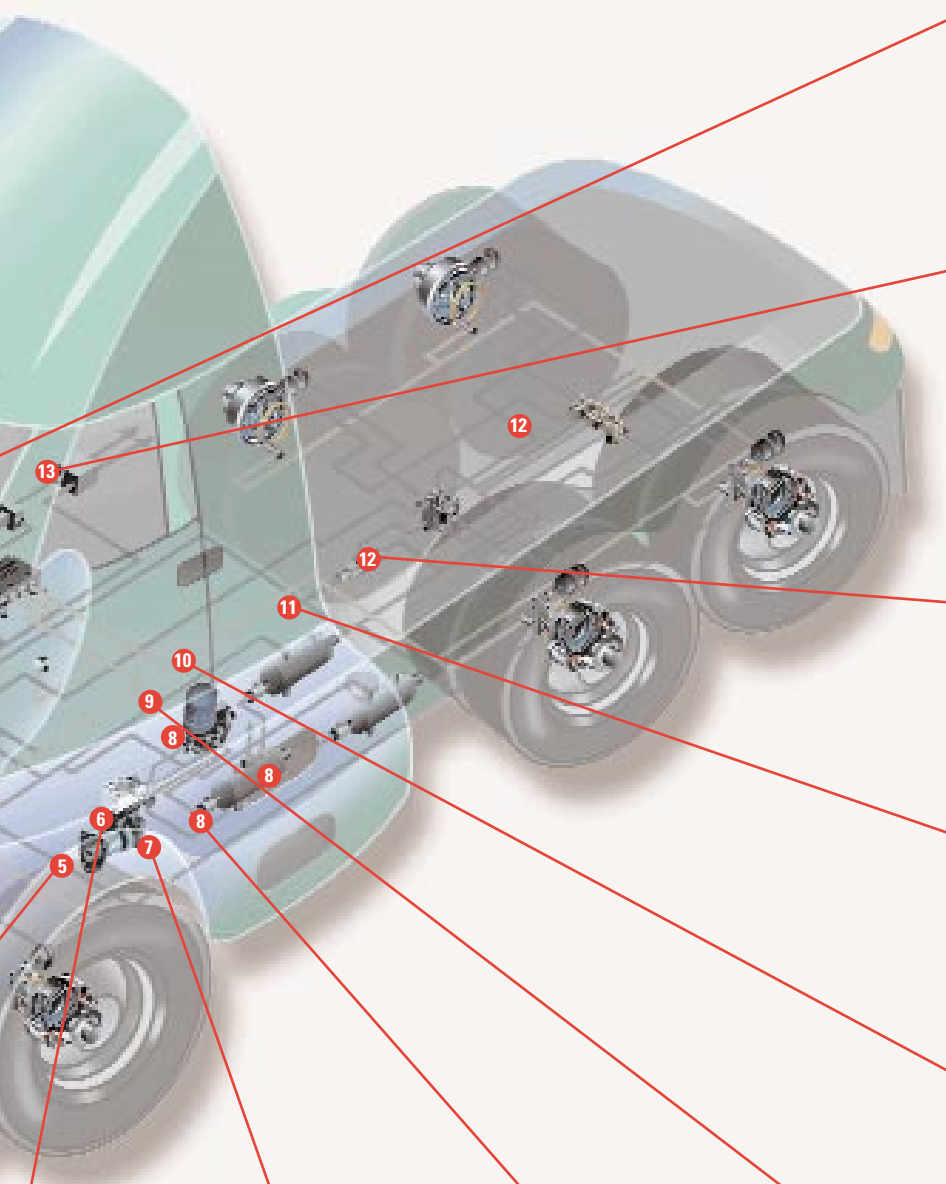
4
QUICK
RELEASE
VALVES



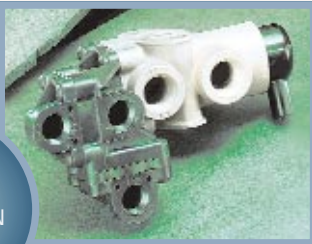
5
PISTON-
TYPE
GOVERNORS



PRESSURE
RELIEF
VALVES



14
TRACTOR
PROTECTION
VALVES



13
GLADHANDS
(HOSE COUPLERS)
CONVENTIONAL
STYLE



12
RELAY
VALVES



11
SPRING
BRAKE CONTROL
VALVES



10
PRESSURE
PROTECTION
VALVES



RE
FS

7
ELECTRO-
PNEUMATIC
SWITCHES



8
DRAIN
VALVES



9
CHECK
VALVES



THE MERITOR WABCO ADVANTAGE

Throughout North America, Meritor WABCO provides a full range of systems and components to improve safety, efficiency and ultimately your bottom line.



BRAKING SYSTEMS

Meritor WABCO, together with ArvinMeritor, offers the most complete braking system package available for commercial vehicle operators in North America.

- Compressors
- Air dryers
- Brake control valves
- Hydraulic anti-lock braking systems (ABS)
- Pneumatic anti-lock braking systems (ABS)
- Electronic braking systems (EBS)
- Automatic slack adjusters
- Air cam, wedge and disc brakes
- Hydraulic disc and drum brakes
- Friction materials
- Hubs, drums and rotors
- Auxiliary retarders/exhaust pressure modulators (EPM)



SUSPENSION CONTROL SYSTEMS

Meritor WABCO provides high quality, proven suspension control systems you can count on.

- Electronically Controlled Air Suspension (ECAS)
- Cab and chassis leveling valves
- Suspension control valves — including lift axle and height control valves



SERVICE AND SUPPORT

Meritor WABCO is here to support you with an entire spectrum of programs.

- Sales and service professionals located throughout North America
- Spec'ing and troubleshooting assistance
- Training programs tailored to your needs
- Full range of support materials
- Information-on-demand 24 hours a day via automated "QuikFacts" (800-366-0765)
- Website for easy access to support materials — visit us at www.meritorwabco.com
- Toll-free support line (800-535-5560) to assist you with all of your service and support needs

Meritor WABCO Vehicle Control Systems

3331 West Big Beaver Road
Suite 300

Troy, Michigan 48084 USA

800-535-5560

www.meritorwabco.com

© Copyright 2002
Meritor WABCO

Litho in USA

Revised 1-02

SP-9942 (465089/11900)

MERITOR WABCO