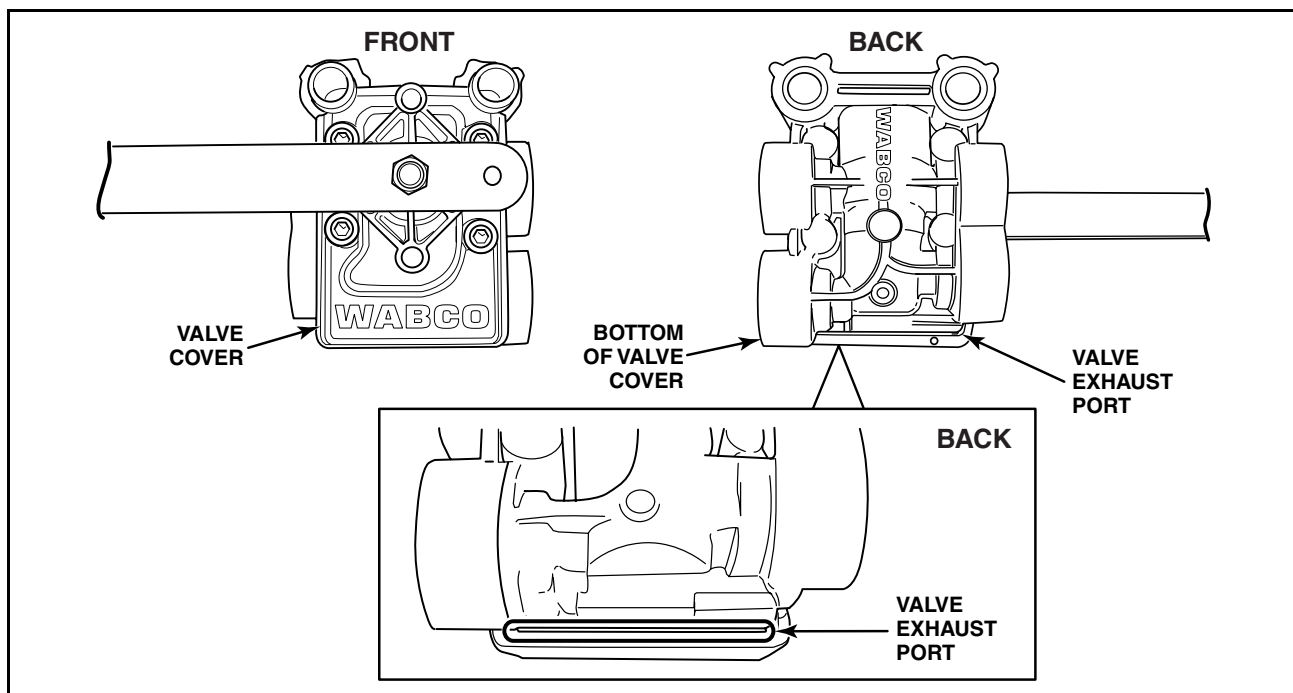


**Meritor WABCO Chassis Leveling Valve Update  
Time to Exhaust Reminder and Exhaust Port Location**

**Meritor WABCO Chassis Leveling Valve P/N 464 008 115 0  
Volvo P/N 20526793, Mack P/N 99QK53M**

**Meritor WABCO Chassis Leveling Valve P/N 464 008 116 0  
Mack P/N 99QK413M**

**Just A Reminder!**

- The Meritor WABCO chassis leveling valve has an exhaust feature that allows air to exhaust through the valve. The exhaust port or slot is located at the bottom of the valve cover between the body of the valve and the cover as shown. The sides of the valve where the cover and the body come together are non-sealed openings which connect with the exhaust port. Therefore, some of the exhaust air can go out of the sides of the valve. This is a normal function of the valve and should not be diagnosed as an internal seal or leakage failure.
- The leveling valve can allow air to exhaust for an extended period after load is removed or the suspension is displaced. This is a normal valve function and should not be cause for valve replacement. If air leakage is suspected: Fully dump the suspension, return the suspension to ride height, and allow seven minutes for the system to stabilize prior to checking for leakage at the chassis leveling valve.
- The chassis leveling valve must be replaced as a complete assembly. DO NOT attempt to replace individual parts. Refer to Meritor WABCO Technical Bulletin TP-9982 for additional information on valve function, maintenance, troubleshooting, testing and installation.

