

MERITOR WABCO

Technical Bulletin

ABS Wheel Speed Sensor Part Numbers for Certain Meritor Series 59000 and 61000 Drive Axles

Application

The information in this technical bulletin applies to Meritor series 59000 and 61000 drive axles manufactured from 1997 through February 2001.

Overview

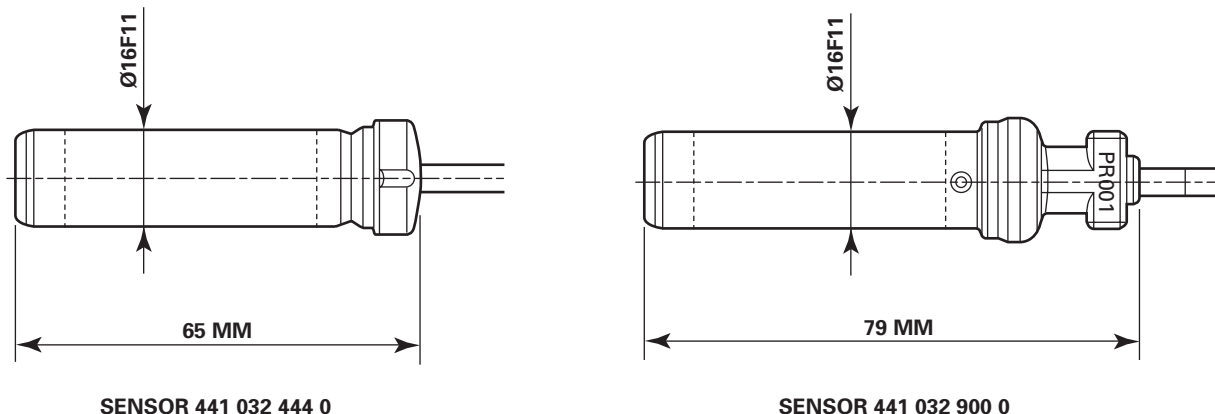
From 1997 to late February 2001, Meritor 59000 and 61000 drive axles were manufactured using Meritor WABCO ABS wheel speed sensors 441 032 576 0 and 441 032 444 0. The length of these sensor bodies is approximately 65 mm for both sensors. In March 2001 these axles were modified to accept the longer 79 mm body of the 441 032 900 0 S+ sensor. This longer body sensor will not fit into some of the older axles as a replacement part.

Recommended Replacement Sensor

NOTE: "S" preceding the part number indicates replacement (aftermarket) part.

The recommended replacement part is S441 032 900 0. This sensor will fit the **majority** of front, drive and tag axles manufactured by Meritor. If the S441 032 900 0 will not fit in the series 59000 and 61000 drive axles, order S441 032 444 0 as the replacement part. Sensor part number 441 032 576 0 is obsolete and not available.

Figure 1



ArvinMeritor[™]
Commercial Vehicle Systems

Meritor WABCO
Vehicle Control Systems
3331 West Big Beaver Road, Suite 300
Troy, MI 48084 USA
800-535-5560
arvinmeritor.com



Information contained in this publication was in effect at the time the publication was approved for printing and is subject to change without notice or liability. ArvinMeritor Commercial Vehicle Systems reserves the right to revise the information presented or discontinue the production of parts described at any time.

Copyright 2001
ArvinMeritor, Inc.
All Rights Reserved

Printed in the USA

TP-01126
Issued 08-01
16579/ArvinMeritor