

**MERITOR WABCO**

# Technical Bulletin

## Torque Specifications for ABS Valve Packages Produced Between 9-3-01 and 10-26-01, Date Codes 36/01 through 43/01

### **WARNING**


To prevent serious eye injury, always wear safe eye protection when you perform vehicle maintenance or service.

Park the vehicle on a level surface. Block the wheels to prevent the vehicle from moving. Support the vehicle with safety stands. Do not work under a vehicle supported only by jacks. Jacks can slip and fall over. Serious personal injury can result.

### For Complete Maintenance and Service Instructions on Meritor WABCO ABS Systems

Refer to Maintenance Manual MM-0112, Anti-Lock Braking System (ABS) for Trucks, Tractors and Buses. Call ArvinMeritor's Customer Service Center at 800-535-5560 to order this publication or visit our web site at:

meritorwabco.com

Allen head bolts used to attach the Meritor WABCO ABS modulator valves to the quick release or relay valves in front and rear ABS valve packages produced between September 3 and October 26, 2001 may require torque adjustment. The torque required is 13-15 lb-ft (18-20 N•m). Rear axle ABS valve packages with ATC may require additional torque adjustment (see Step 2 of this bulletin). 


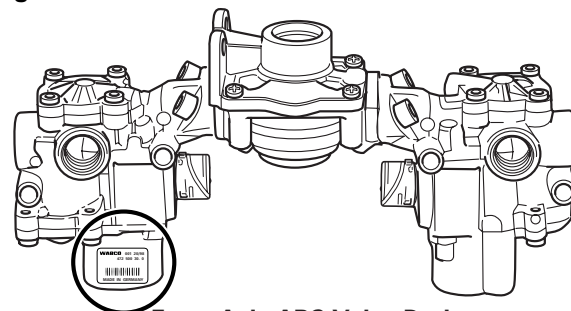
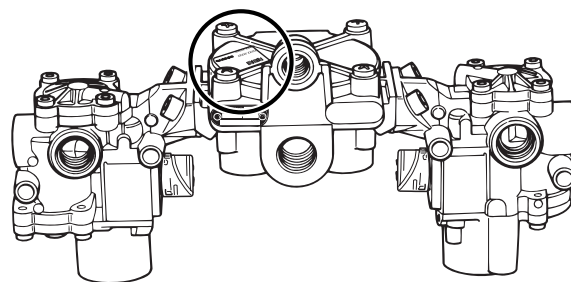
1. To adjust the torque for front and rear axle ABS valve packages:
  - A. Check the date code on the valve package. Date codes are indicated on the valve package identification tag, as illustrated in **Figure 1**. Only valve packages with date codes of 36/01 through 43/01 require torque adjustment. **Figure 1**.
  - B. To adjust the torque, use a 6 mm Allen wrench. Tighten to 13-15 lb-ft (18-20 N•m). All four bolts must be adjusted. **Figure 2**. 

Figure 1.

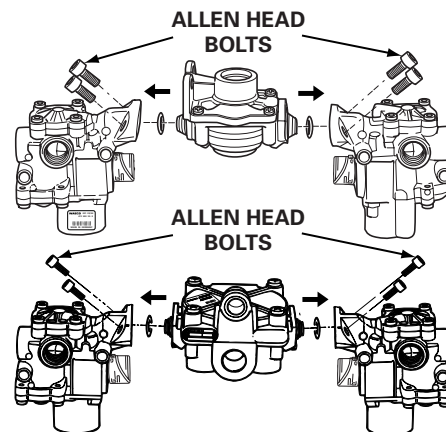


Front Axle ABS Valve Package  
I.D. Tag with Date Code




Rear Axle ABS Valve Package  
I.D. Tag with Date Code


Figure 2





2. For rear axle ABS valve packages equipped with ATC, there are four additional bolts and one fitting that must be adjusted. To adjust the torque on rear axle ABS valve packages with ATC:

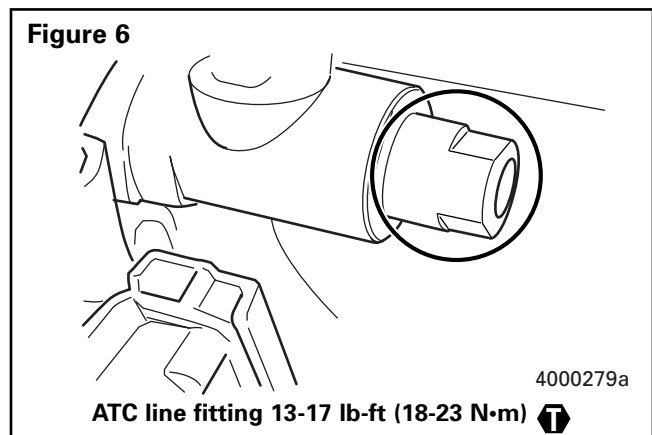
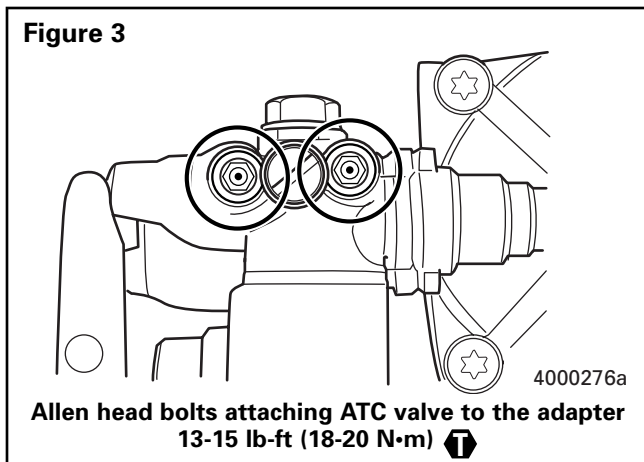
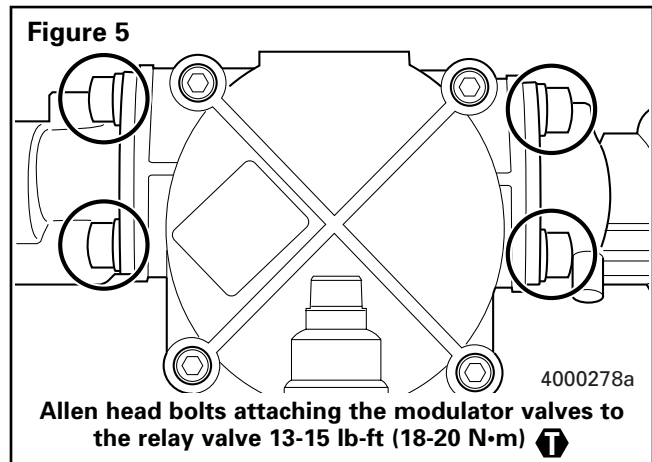
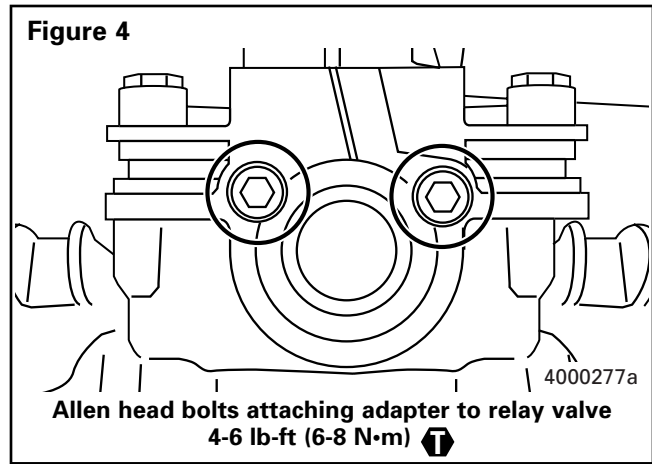
A. Check the date code on the valve package. Date codes are indicated on the valve package identification tag located on top of the relay valve. Only valve packages with date codes of 36/01 through 43/01 require torque adjustment.

B. Use a 6 mm Allen head tool to tighten the two bolts that attach the ATC valve to the adapter. Tighten to 13-15 lb-ft (18-20 N•m). **Figure 3.** 

C. Use a 5 mm Allen head tool to tighten the two bolts that attach the adapter to the relay valve. Tighten to 4-6 lb-ft (6-8 N•m). **Figure 4.** 

D. Use a 6 mm Allen head tool to tighten the four Allen head bolts that attach the ABS modulator valves to the relay valve. Both right and left side bolts must be adjusted. Tighten to 13-15 lb-ft (18-20 N•m). **Figure 5.** 

E. Use a torque wrench to tighten the ATC line fitting to the torque specification listed. Tighten to 13-17 lb-ft (18-23 N•m). **Figure 6.** 



**ArvinMeritor**<sup>TM</sup>  
Commercial Vehicle Systems

**Meritor WABCO**  
Vehicle Control Systems  
3331 West Big Beaver Road, Suite 300  
Troy, MI 48084 USA  
800-535-5560  
meritorwabco.com



Information contained in this publication was in effect at the time the publication was approved for printing and is subject to change without notice or liability. ArvinMeritor Commercial Vehicle Systems reserves the right to revise the information presented or discontinue the production of parts described at any time.

Copyright 2002  
ArvinMeritor, Inc.  
All Rights Reserved

Printed in the USA

TP-0211  
Issued 01-02  
16579/ArvinMeritor