

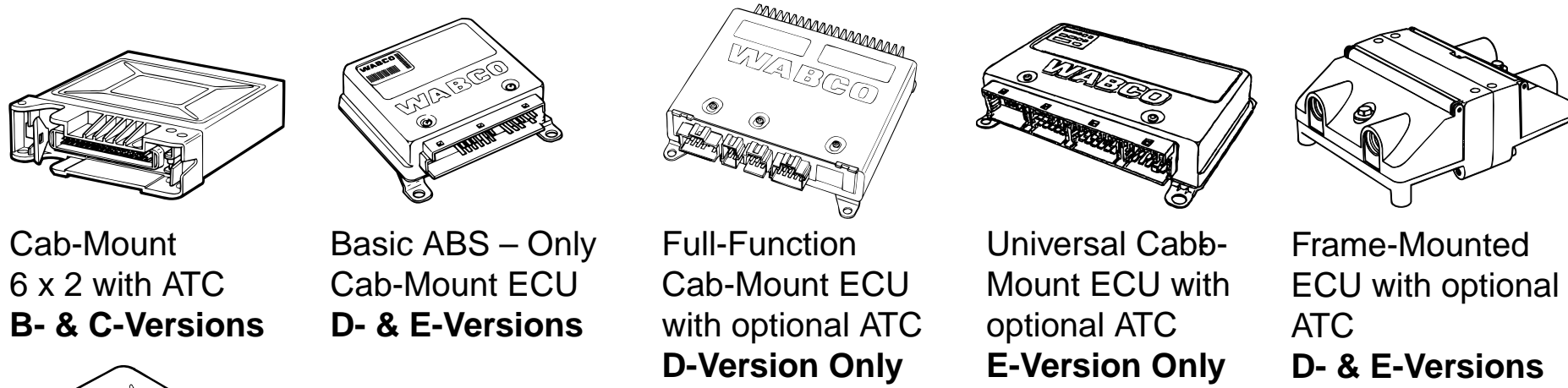
Support Literature:

PB-96132	Truck, Tractor and Bus ABS Parts Book
MM-30	D-Version ABS for Trucks, Tractors and Buses Maintenance Manual
MM-0112	E-Version ABS for Trucks, Tractors and Buses Maintenance Manual
TP-0186	D and E-Version Truck, Tractor and Bus ABS Diagnostic Guide
TP-94157	C-Version Truck, Tractor and Bus ABS Diagnostic Guide

For Service/Aftermarket Orders:

United States	888-725-9355
Canada	800-387-3889
On-Line Orders	www.XpresswayPlus.com

Electronic Control Units (ECUs)



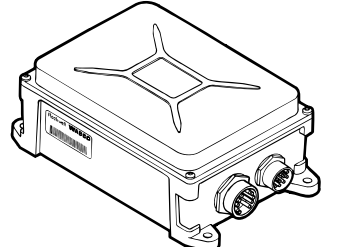
Cab-Mount
6 x 2 with ATC
B- & C-Versions

Basic ABS – Only
Cab-Mount ECU
D- & E-Versions

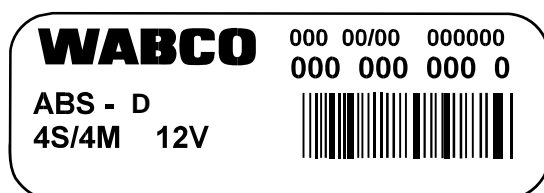
Full-Function
Cab-Mount ECU
with optional ATC
D-Version Only

Universal Cab-Mount
ECU with
optional ATC
E-Version Only

Frame-Mounted
ECU with optional
ATC
D- & E-Versions



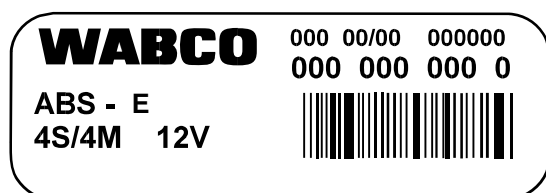
Frame-Mounted
ECU
6S/4M, Front/Rear
C-Version



WABCO 000 0000 000000
000 000 000 0

ABS - D
4S/4M 12V

D-Version
Trucks: 1997 – Present
Buses & Coaches: 1997 – Present
Tractors: 1997 – February 2001



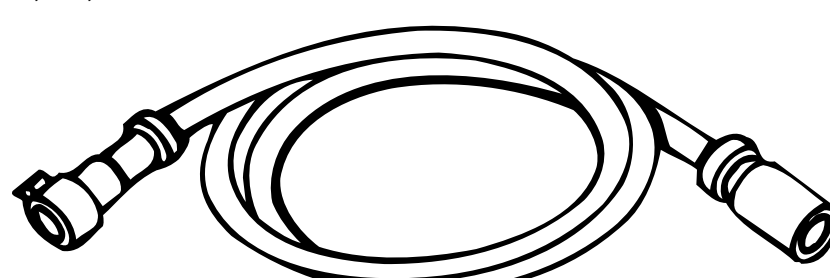
WABCO 000 0000 000000
000 000 000 0

ABS - E
4S/4M 12V

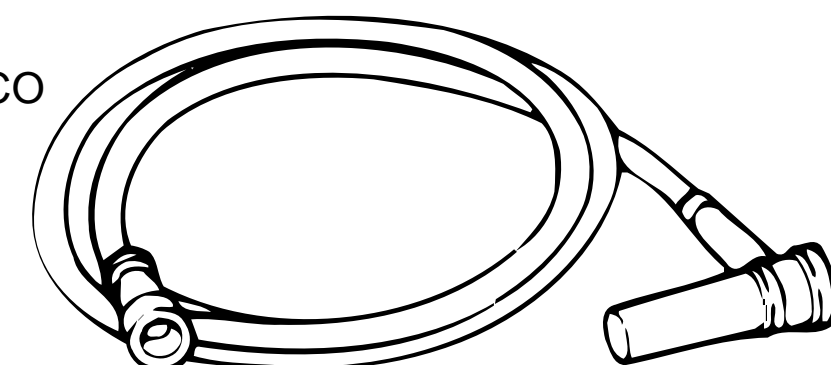
E-Version
Tractors: March 2001 – Present
PLC Compliant

Straight Sensors/Right Angle (90°) Sensors

To provide you with the appropriate components to service ABS sensors, Meritor WABCO offers sensors in the form of a service kit containing a sensor, sensor spring clip and grease packet to assist in proper installation. Sensors and Sensors Extension Cables work for B, C, D and E versions of ABS.



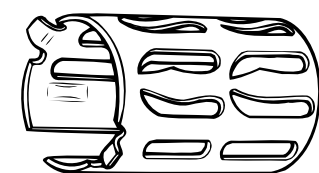
Straight		
Length	Sensor Kit	Sensor in Kit
2.0 ft (0.6 m)	R955349	441 032 971 0
5.6 ft (1.7 m)	R955329	441 032 919 0
5.7 ft (1.7 m)	R955343	441 032 770 0
5.8 ft (1.8 m)	R955337	441 032 444 0 (65 mm head)
	R955338	441 032 900 0 (79 mm head)



Right Angle		
Length	Sensor Kit	Sensor in Kit
1.0 ft (0.3 m)	R955335	S441 032 808 0
3.0 ft (0.9 m)	R955336	S441 032 809 0
4.6 ft (1.5 m)	R955365	S441 032 817 0
5.6 ft (1.7 m)	R955328	S441 032 103 0
5.8 ft (1.8 m)	R955341	S441 032 813 0
6.6 ft (2.0 m)	R955340	S441 032 667 0
	R955342	S441 032 814 0
11.0 ft (3.4 m)	R955327	S441 032 092 0

Sensor Clip

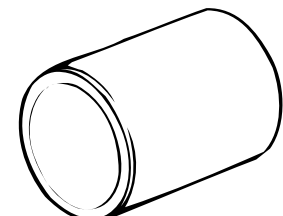
Holds sensor in place.



Length	Inside Diameter	Outside Diameter	Part Number
1.18 in (30.0 mm)	0.63 in (16.0 mm)	0.71 in (18.0 mm)	S899 759 815 4

Sensor Bushing

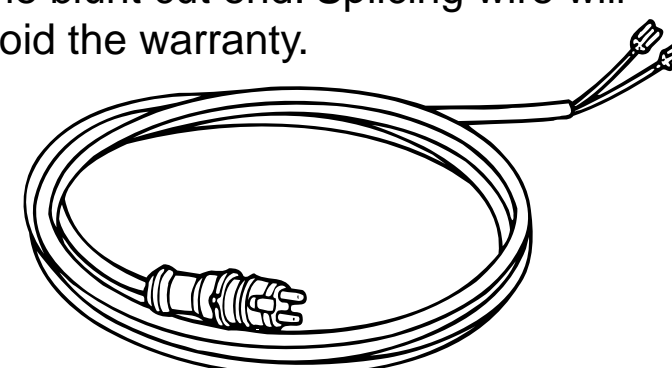
Used on front steer axles only.



Length	Inside Diameter	Outside Diameter	Part Number
0.87 in (22.0 mm)	0.71 in (18.0 mm)	1.18 in (30.0 mm)	S 1225-S-1189

Sensor Extension Cables

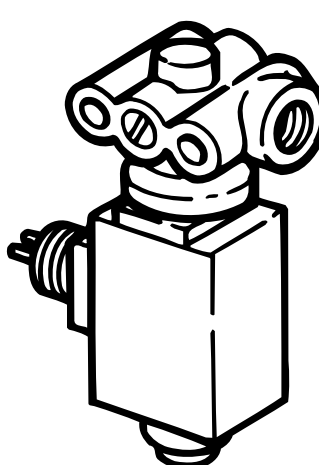
Two-wire cable that connects the wheel end sensors to the ECU. Do not splice the cable wires. Cut cables from the blunt cut end. Splicing wire will void the warranty.



Length	Part Number
2.0 ft (0.6 m)	S449 711 006 0
3.3 ft (1.0 m)	S449 711 010 0
5.9 ft (1.8 m)	S449 711 018 0
8.2 ft (2.5 m)	S449 711 025 0
10.2 ft (3.5 m)	S449 711 031 0
15.1 ft (4.6 m)	S449 711 046 0
16.4 ft (5.0 m)	S449 711 050 0
21.3 ft (6.5 m)	S449 711 065 0
26.2 ft (8.0 m)	S449 711 080 0
32.8 ft (10.0 m)	S449 711 100 0
39.3 ft (12.0 m)	S449 711 120 0
49.2 ft (15.0 m)	S449 711 150 0
59.0 ft (18.0 m)	S449 711 180 0

ABS ATC Valve

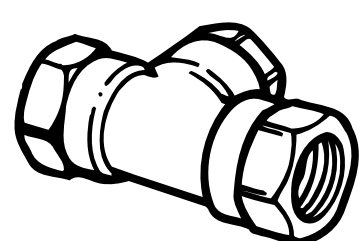
C-Version ABS



Thread Size	Part Number	Description
1/4" – 18 NPTF	S472 136 101 0	Double Check Valve must be used with this valve.
M12 x 1.5	S472 136 101 0	

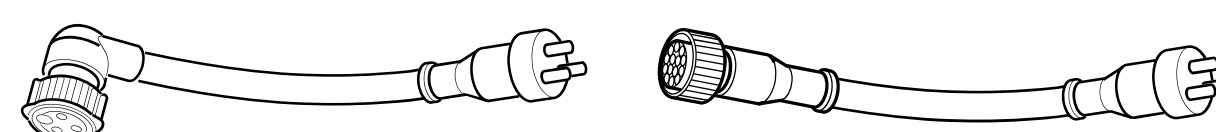
ATC Double Check Valve – C-Version ABS

Use one double check valve per ATC valve.



Part Number
S434 208 021 0
S434 208 034 0
S434 208 050 0

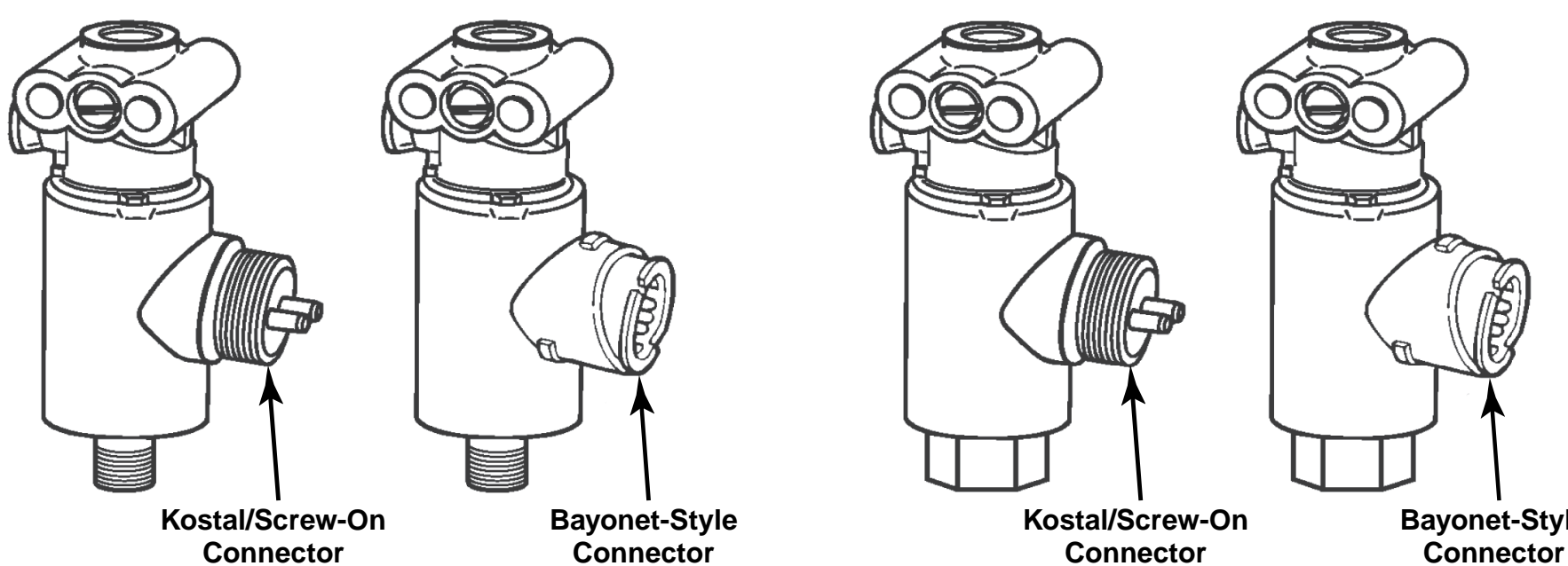
Adapter Cables: Modulator Valve



Part Number	Description
S894 601 133 2	6" cable Bayonet to Screw
S894 601 132 2	6" cable Bayonet to Screw
S894 601 134 2	6" cable Screw to Bayonet
S894 601 136 2	6" cable Screw to Bayonet

ABS ATC Valves – D- & E-Version ABS

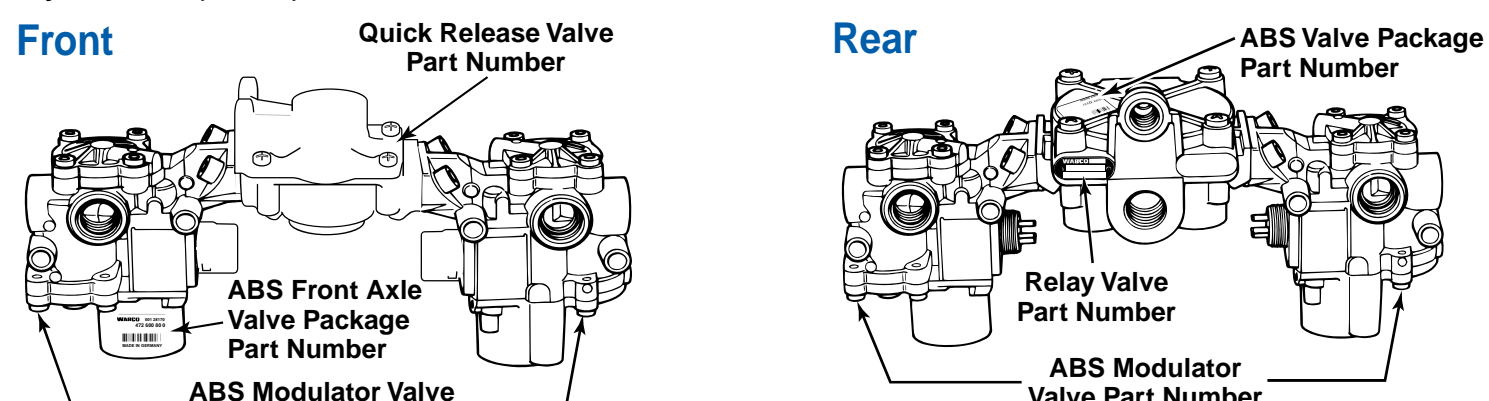
Thread Size	Part Number	Description
1/4" – 18 NPTF	S472 170 861 0	Delivery port opposite solenoid connection.
Male 1/8" – 27 NPTF	S472 170 871 0	Delivery port adjacent to solenoid connection.
Male 1/2" – 27 NPTF	S472 170 867 0	Bayonet-Style connector. Delivery port opposite solenoid connection.
Male 1/8" – 27 NPTF	S472 170 877 0	Bayonet-Style connector. Delivery port adjacent to solenoid connector.
1/8" – 27 NPTF	S472 170 990 0	Delivery port opposite solenoid connection.
1/4" – 18 NPTF	S472 170 991 0	
Female 1/4" – 18 NPTF	S472 170 996 0	Bayonet-Style connector. Delivery port opposite solenoid connection.
	S472 170 997 0	
M12 x 15 Female	S472 070 628 0	Bayonet-Style connector. Delivery port adjacent to solenoid connection.
	S472 170 600 0	



ABS Valve Package (Front and Rear Axle)

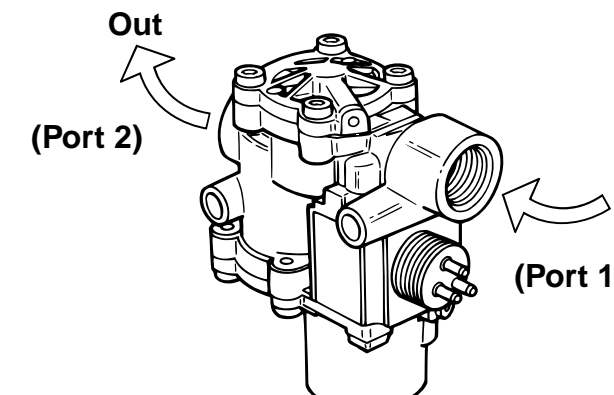
Provides an alternative to separate valve installation by combining a service brake relay valve with two ABS modulator valves. Compatible with C-, D- and E-Version ECUs. Replacement kits contain replacement valve, bolts, O-rings, lubricant and instruction sheet.

Part Number Information: To determine the proper ABS valve package or component valve part number, refer to the ABS Valve Package – Part Number Identification table in PB-96132, Meritor WABCO Pneumatic Anti-Lock Braking Systems (ABS) for Trucks, Tractors and Buses.

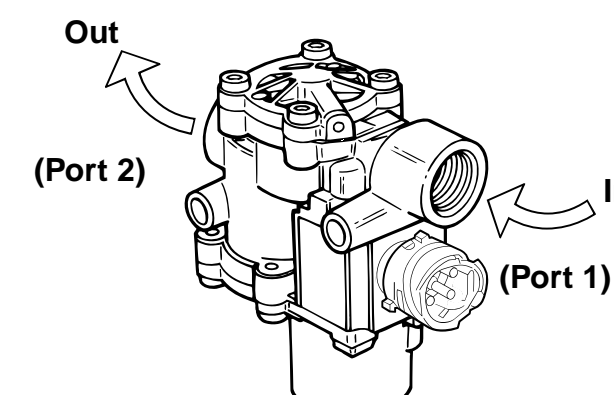


ABS Modulator Valve

Kostal/Screw-On Style

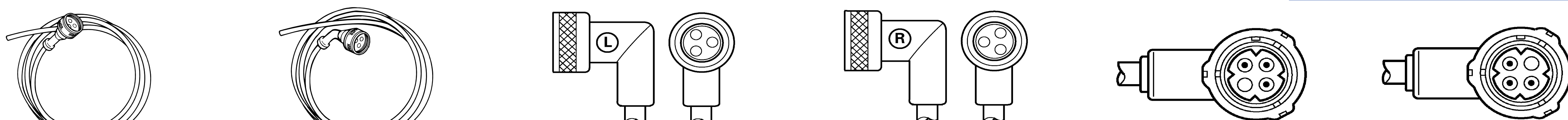


Bayonet-Style



ABS Modulator Valve Extension Cables

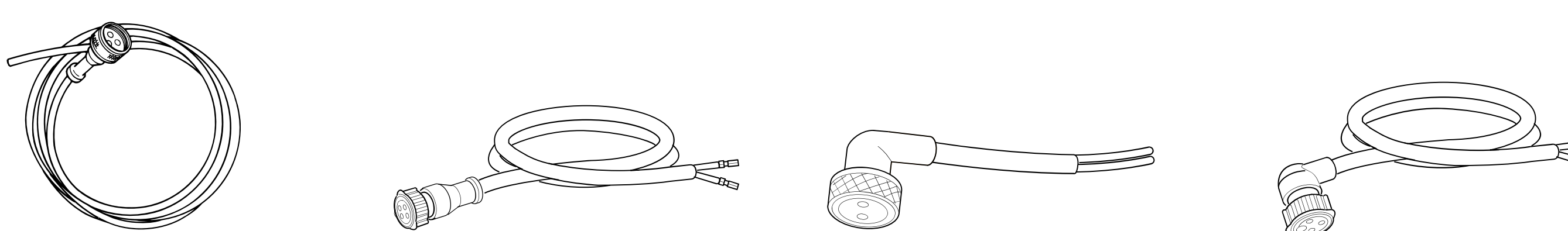
Connects the ABS modulator valves to the ABS chassis harness. Available with straight or 90° connector. Do not splice cable wires. Cut cables from the blunt cut end. Splicing wires will void the warranty. Blunt cut on Opposite End.



Brass Nut Style Straight Connector		Bayonet-Style Straight Connector		Brass Nut Style 90° Left Angle Connector		Brass Nut Style 90° Right Angle Connector		Bayonet-Style 90° Left Angle Connector		Bayonet-Style 90° Right Angle Connector	
Length	Part Number	Length	Part Number	Length	Part Number	Length	Part Number	Length	Part Number	Length	Part Number
6.6 ft (2.0 m)	S449 511 020 0	13.1 ft (4.0 m)	S449 413 040 0	2.9 ft (0.9 m)	S449 523 009 0	2.9 ft (0.9 m)	S449 524 009 0	4.5 ft (1.4 m)	S449 533 014 0	4.9 ft (1.5 m)	S449 532 015 0
16.4 ft (5.0 m)	S449 511 050 0	19.7 ft (6.0 m)	S449 413 060 0	19.7 ft (6.0 m)	S449 523 060 0	19.7 ft (6.0 m)	S449 524 060 0	15.42 ft (4.7 m)	S449 533 047 0	8.5 ft (2.6 m)	S449 532 026 0
59.1 ft (18.0 m)	S894 601 145 2	39.4 ft (12.0 m)	S449 413 120 0	39.4 ft (12.0 m)	S449 523 120 0	39.4 ft (12.0 m)	S449 524 120 0	19.7 ft (6.0 m)	S449 533 060 0	19.7 ft (6.0 m)	S449 532 060 0
								39.4 ft (12.0 m)	S449 533 120 0	39.4 ft (12.0 m)	S449 532 120 0

ATC Valve Extension Cables

Two-wire cable that connects the ATC valve to the ABS chassis harness. Available with straight or 90° connector. Do not splice cable wires. Cut cables from the blunt cut end. Splicing wires will void the warranty. Blunt cut on Opposite End.



Brass Nut Style Straight Connector		Bayonet-Style Straight Connector		Brass Nut Style 90° Connector		Bayonet-Style 90° Connector	
Length	Part Number	Length	Part Number	Length	Part Number	Length	Part Number
3.3 ft (1.0 m)	S449 521 010 0	3.3 ft (1.0 m)	S449 415 010 0	0.9 ft (0.3 m)	S894 600 451 2	32.8 ft (10.0 m)	S449 515 100 0
4.5 ft (1.4 m)	S449 521 014 0	4.5 ft (1.4 m)	S449 415 014 0				
16.4 ft (5.0 m)	S449 521 050 0	16.4 ft (5.0 m)	S449 415 050 0				
32.8 ft (10.0 m)	S449 521 100 0	32.8 ft (10.0 m)	S449 415 100 0				
49.2 ft (15.0 m)	S449 521 150 0	49.2 ft (15.0 m)	S449 415 150 0				

800-535-5560

www.meritorwabco.com