

# MERITOR WABCO

## SERVICE PARTS INSTRUCTIONS

## Replacing the Desiccant Cartridge on Meritor WABCO's System Saver 1000™ and 1200 Series and System Saver TWIN™ Air Dryers

### **WARNING**

To prevent serious eye injury, always wear safe eye protection when you perform vehicle maintenance or service.

### **WARNING**

Block the wheels to prevent the vehicle from moving. Support the vehicle with safety stands. Do not work under a vehicle supported only by jacks. Jacks can slip and fall over. Serious personal injury can result.

### **WARNING**

Remove all air from the air system before you service any air system component. Pressurized air can cause serious personal injury.

## Replacing the Desiccant Cartridge

1. A replacement kit contains one cartridge and one O-ring. **Figure 1**.
2. Loosen and remove the old cartridge. Use a strap wrench if necessary.
3. Remove and discard O-ring from dryer base.

**NOTE:** If seats do not ensure a tight seal, replace the air dryer.

4. Inspect and clean seal seats. Repair any damage.
5. Lubricate and install the new O-ring on stem.
6. Thread the replacement cartridge onto the air dryer base until the seal touches the base. Tighten the cartridge clockwise one additional turn. Do not overtighten. **Figure 2**.

Figure 1

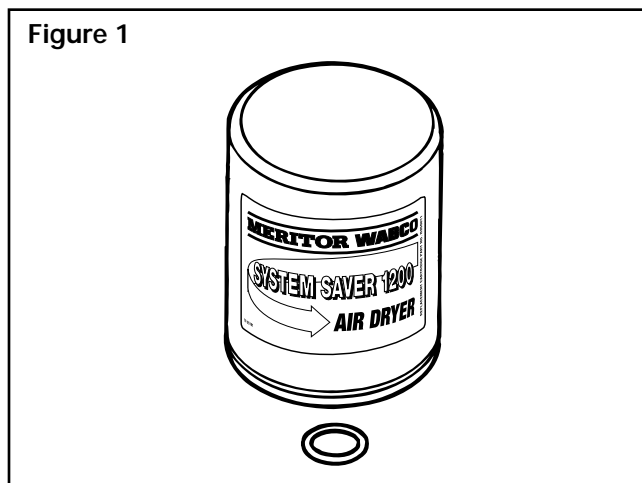
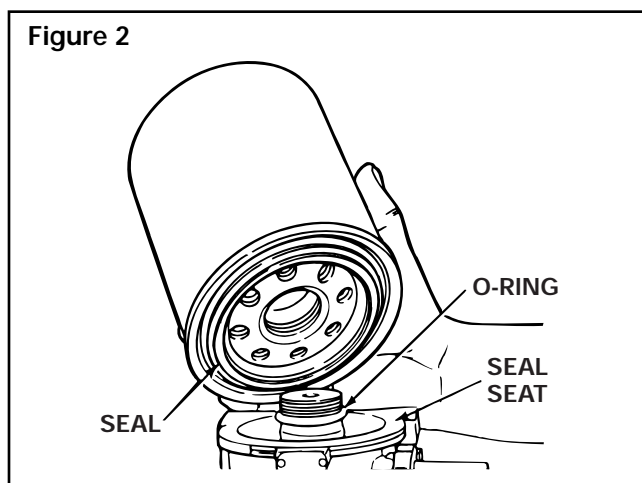


Figure 2



## Check for a Pressure Relief Valve When Replacing a Desiccant Cartridge

### CAUTION

*Install a pressure relief valve assembly to the air dryer housing. A pressure relief valve will prevent excessive air pressure build-up in the air supply line (over-pressurization) that can damage components.*

When replacing a desiccant cartridge on Meritor WABCO's System Saver 1000™ or 1200 Series or TWIN™ air dryers manufactured before February 1995, or on an air dryer from another manufacturer, check that the air dryer housing is equipped with a pressure relief valve assembly. If a valve assembly is not present, install a pressure relief valve assembly on the air dryer housing to prevent excessive air pressure build-up.

Order the following Meritor WABCO technical bulletins (800-535-5560) for more information on how to install a pressure relief valve and how the valve affects an air system.

- *Pressure Relief Valve Installation Instructions for Meritor WABCO System Saver 1000™ and System Saver TWIN™ Air Dryers and Modification Instructions for Units Equipped with Alcohol Evaporators (TP-9557)*
- *Pressure Relief Valves in Air Supply Systems: All Meritor WABCO System Saver 1000™ Series and TWIN™ Air Dryers (TP-95113)*

## Pressure Relief Valve Kit Number SRWABK085

A pressure relief valve that mounts directly to the air dryer assembly is available. Order Kit Number SRWABK085. The kit contains:

- a pressure relief valve;
- a street tee to install the relief valve to the air dryer;
- a technical bulletin detailing the relief valve installation instructions.

---

# MERITOR WABCO

---

**Meritor WABCO**  
Vehicle Control Systems  
2135 West Maple Road  
Troy, MI 48084 U.S.A.  
800-535-5560  
www.meritorauto.com

Information contained in this publication was in effect at the time the publication was approved for printing and is subject to change without notice or liability. Meritor WABCO reserves the right to revise the information presented or discontinue the production of parts described at any time.

© Copyright 1999  
Meritor WABCO  
All Rights Reserved

Printed in the USA  
Please Recycle

TP-96178  
Revised 3-99  
16579/Meritor